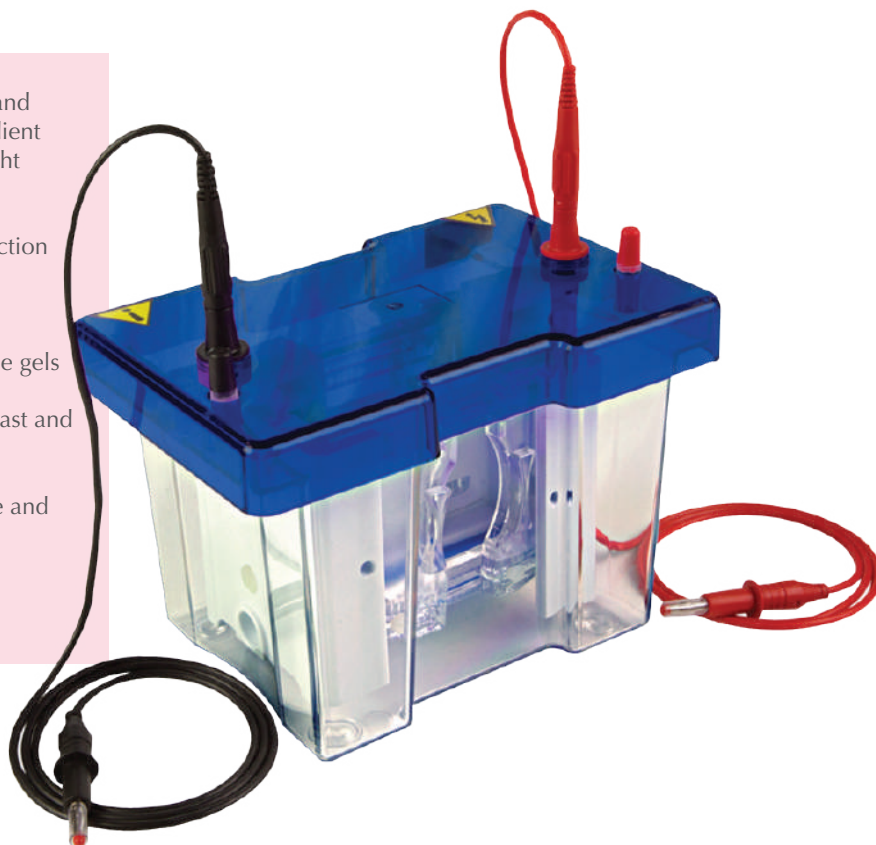


SymphonyPAGE Mini Vertical Electrophoresis System

HIGHLIGHTS

- Ideal for routine, rapid protein separation and new samples screening, Native PAGE, gradient and gel purification of low molecular weight nucleic acid fragments
- Easy and leak-proof gel casting due to injection moulded construction
- Two-in-one gel casting and running saves operation time and avoids damage of fragile gels
- Sliding clamp allows rapid set up of handcast and precast gels
- 2 mm thick glass plates minimize breakage and have bonded spacers for convenience
- Low buffer volumes



Routine protein electrophoresis and screening new samples

SymphonyPAGE Mini Electrophoresis System is built for routine and rapid protein sample screening. It can run up to 4 handcast gels and 2 precast gels at a time, compatible with commercial 8 x 10 cm and 10 x 10 cm precast gels. The unique design allows gel casting and running to be carried out using the same internal module. This prevents time-consuming transfer of glass plates and fragile gels. The system provides an easy and efficient method for vertical electrophoresis applications to generate reproducible results.



Interchangeable module

Mini blotting insert may be used with the same tank and lid to adapt SymphonyPAGE Mini system, for easy, fast and efficient electroblotting of mini gels. These units are available as standalone options or as part of fully integrated electrophoresis systems.

TECHNICAL DATA

Specifications	SymphonyPAGE Mini Vertical	
Tank dimension (W x D x H)	19 x 13 x 15 cm	
Buffer volume	2 gels: Minimum 250 ml Maximum 1200 ml	4 gels: Minimum 250 ml Maximum 1200 ml
Gel dimension (W x D x H)	8 x 8.5 cm	
Plate dimension (W x D x T)	10 x 10 x 0.2 cm	
Standard run time for SDS PAGE	1-2 hours from 90-225 V	

ORDERING INFORMATION

Cat. No SymphonyPAGE Mini Vertical Electrophoresis System

EB-VES-SPMINI	SymphonyPAGE Mini, 10 x 10 cm gels: 2 glass plates with bonded 1 mm thick spacers, 2 combs (12 teeth), cooling pack and dummy plate	EB-VES-SPMINICU	SymphonyPAGE Mini, 10 x 10 cm gels: 2 glass plates with bonded 1 mm thick spacers, 2 combs (12 teeth), cooling pack, dummy plate, casting base and casting upstand
EB-VES-SPMINISYS	SymphonyPAGE Mini, 10 x 10 cm gels: 2 glass plates with bonded 1 mm thick spacers, 2 combs (12 teeth), cooling pack, dummy plate and casting base	EB-VES-SPMINITETRAD	SymphonyPAGE Mini, 10 x 10 cm gels: 2 glass plates with bonded 1 mm thick spacers, 2 combs (12 teeth), cooling pack, dummy plate, casting base and casting upstand plus 2 x additional 1 mm 12-sample combs, 1 x plain glass plates with 1 mm spacers (2/pk), 1 x notched glass plates (2/pk) and 2 x notched glass plates with 1 mm spacers (2/pk)
SPMN-PRE	SymphonyPAGE Mini, 10 x 10 cm gels, dummy plate and cooling pack	SPMN-NG0.75	10 x 10 cm Notched Glass Plates 1 mm bonded spacers (2/pk)
SPMN-EXCAST	External Casting Stand, no casting base	SPMN-PG0.75	10 x 10 cm Plain Glass Plates 1 mm bonded spacers (2/pk)
SPMN-EXCASTSYS	External Casting System, upstand and base	SPMN-NG1	10 x 10 cm Notched Glass plates 1.5 mm bonded spacers (2/pk)
SPMN-CAST	10 x 10 cm Dual Caster for SymphonyPAGE Mini	SPMN-PG1	10 x 10 cm Plain Glass Plates 1.5 mm bonded spacers (2/pk)
SPMN-CASTM	Replacement Silicone Mat for 10 x 10 cm Casting Base	SPMN-NG1.5	10 x 10 cm Notched Glass Plates 2 mm bonded spacers (2/pk)
SPMN-RM1	Inner Running Module with sliding clamps or screw clamps	SPMN-PG1.5	10 x 10 cm Plain Glass Plates 2 mm bonded spacers (2/pk)
SPMN-CP	Mini Cooling Pack	SPMN-NG2	10 x 10 cm Notched Glass Plates 2 mm bonded spacers (2/pk)
SPMN-NG	10 x 10 cm Notched Glass Plates 2 mm thick (2/pk)	SPMN-PG2	10 x 10 cm Plain Glass Plates 2 mm bonded spacers (2/pk)
SPMN-PG	10 x 10 cm Plain Glass Plates 2 mm thick (2/pk)	SPMN-DP	10 x 10 cm Dummy Plate
		SPMN-SP0.75	10 cm Spacers – 0.75 mm (2/pk)
		SPMN-SP1	10 cm Spacers – 1 mm (2/pk)
		SPMN-SP1.5	10 cm Spacers – 1.5 mm (2/pk)
		SPMN-SP2	10 cm Spacers – 2 mm (2/pk)
		SPMN-RPW0.2	Replacement Platinum Wire 0.2mm - 50cm
		SPMN-SG	Silicone Gasket (1/pk) for SymphonyPAGE Mini
		SPMN-L	Lid for SymphonyPAGE Mini, no cables
		SPMN-T	Tank for SymphonyPAGE Mini
		EB-VES-EC	Electrophoresis cable, black and red

Hercuvan

Lab Systems

EASY, RAPID AND LEAK-PROOF GEL CASTING

- Dual-purpose PAGE module saves time by eliminating transfer of glass plates between separate casting and running.
- Ground glass plates with bonded injection moulded spacers are consistent with comb thickness to ensure 'clean' well formation and correct alignment for leak-proof casting. Eliminates the need for awkward spacer aligners.
- Ultra-soft silicone mat within cam-caster compensates for glass plate misalignment to ensure leak-proof casting.



Insert glass plates between pressure frame and gasket.



Slide gasket for efficient seal.



Transfer to casting base and tighten cams.



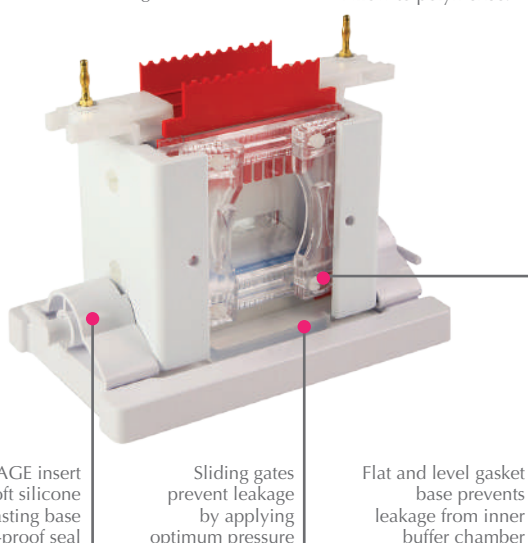
Insert gel solution and comb. Allow to polymerise.



Transfer to tank and fill with buffer.



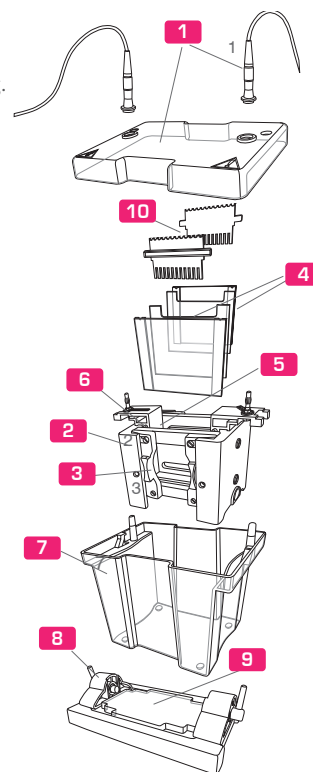
Load samples using Loading Guides and run.



Cam pins lock PAGE insert onto the ultra-soft silicone mat within the casting base to provide leak-proof seal

Sliding gates prevent leakage by applying optimum pressure

Flat and level gasket base prevents leakage from inner buffer chamber



Mini Components Part

1. Lid and power cables
2. PAGE insert
3. Sliding clamps
4. Glass plates
5. Inner buffer chamber
6. Gasket
7. Outer tank
8. Cam-pin caster
9. Ultra-soft casting mat
10. Combs

ORDERING INFORMATION

Color	Cat. No	Combs for SymphonyPAGE Mini	Sample Volume per well	Color	Cat. No	Combs for SymphonyPAGE Mini	Sample Volume per well		
Black	SPMN1-0.75	Comb for 1 sample, 1 marker, 0.75 mm thick	500 µL	Red	SPMN1-1.5	Comb for 1 sample, 1 marker, 1.5 mm thick	1000 µL		
	SPMN5-0.75	Comb for 5 samples, 0.75 mm thick	70 µL		SPMN5-1.5	Comb for 5 samples, 1.5 mm thick	140 µL		
	SPMN8MC-0.75	Comb for 8 samples, multichannel, 0.75 mm thick	40 µL		SPMN8MC-1.5	Comb for 8 samples, multichannel, 1.5 mm thick	80 µL		
	SPMN9-0.75	Comb for 9 samples, 0.75 mm thick	35 µL		SPMN9-1.5	Comb for 9 samples, 1.5 mm thick	70 µL		
	SPMN10-0.75	Comb for 10 samples, 0.75 mm thick	30 µL		SPMN10-1.5	Comb for 10 samples, 1.5 mm thick	30 µL		
	SPMN12-0.75	Comb for 12 samples, 0.75 mm thick	25 µL		SPMN12-1.5	Comb for 12 samples, 1.5 mm thick	50 µL		
	SPMN16MC-0.75	Comb for 16 samples, multichannel, 0.75 mm thick	20 µL		SPMN16MC-1.5	Comb for 16 samples, multichannel, 1.5 mm thick	40 µL		
	SPMN20-0.75	Comb for 20 samples, 0.75 mm thick	15 µL		SPMN20-1.5	Comb for 20 samples, 1.5 mm thick	30 µL		
	Blue	SPMN1-1	Comb for 1 sample, 1 marker, 1 mm thick		650 µL	Blue	SPMN1-2	Comb for 1 sample, 1 marker, 2 mm thick	1300 µL
		SPMN5-1	Comb for 5 samples, 1 mm thick		100 µL		SPMN5-2	Comb for 5 samples, 2 mm thick	200 µL
SPMN8MC-1		Comb for 8 samples, multichannel, 1 mm thick	60 µL	SPMN8MC-2	Comb for 8 samples, multichannel, 2 mm thick		120 µL		
SPMN9-1		Comb for 9 samples, 1 mm thick	50 µL	SPMN9-2	Comb for 9 samples, 2 mm thick		100 µL		
SPMN10-1		Comb for 10 samples, 1 mm thick	40 µL	SPMN10-2	Comb for 10 samples, 2 mm thick		80 µL		
SPMN12-1		Comb for 12 samples, 1 mm thick	35 µL	SPMN12-2	Comb for 12 samples, 2 mm thick		70 µL		
SPMN16MC-1		Comb for 16 samples, multichannel, 1 mm thick	25 µL	SPMN16MC-2	Comb for 16 samples, multichannel, 2 mm thick		50 µL		
SPMN20-1		Comb for 20 samples, 1 mm thick	20 µL	SPMN20-2	Comb for 20 samples, 2 mm thick		40 µL		

* All models include casting dams, loading guides